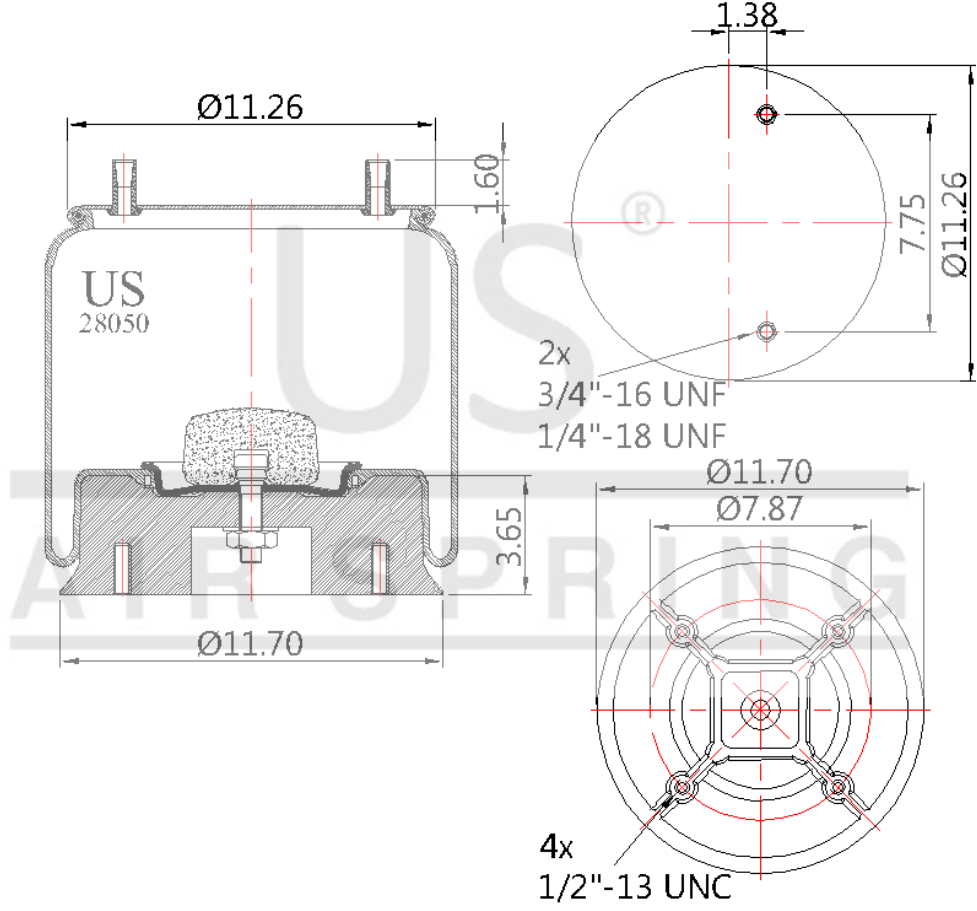


# US - A-28050 KALU

Sipariş Kodu: A-5267-286

**US**  
**AIR SPRING**



© 2025 US AIR SPRING. ALL RIGHTS RESERVED. <http://www.usmerkaucuk.com/>

## Ürün Özellikleri

Ürün Tipi	KOMPLE
Ürün Kodu	A-28050 KALU
Sipariş Kodu	A-5267-286
Kutu Boyutu	780*1180*660
Kutudaki Adet	18 PCS
Ağırlık	9,43 Kg.
Tork	
Ürün Grubu	

# US - A-28050 KALU

Sipariş Kodu: A-5267-286



## CROSS Kodları

<b>CONTITECH</b>	11105E16A320
<b>CONTITECH</b>	64254
<b>CONTITECH</b>	11105C16A320
<b>FIRESTONE</b>	1T19J6
<b>FIRESTONE</b>	1T19ZK57
<b>FIRESTONE</b>	W013588050
<b>GOODYEAR</b>	1R14039
<b>GOODYEAR</b>	566283015

## OEM Kodları

<b>HENDRICKSON</b>	B12514013
<b>HENDRICKSON</b>	S4771
<b>LOADGUARD</b>	SC2052
<b>NAVISTAR</b>	1685174C1
<b>REYCO</b>	
<b>GRANNING</b>	2363101
<b>RIDEWELL</b>	1003588050C
<b>WATSON&amp;CHA.</b>	AS0039