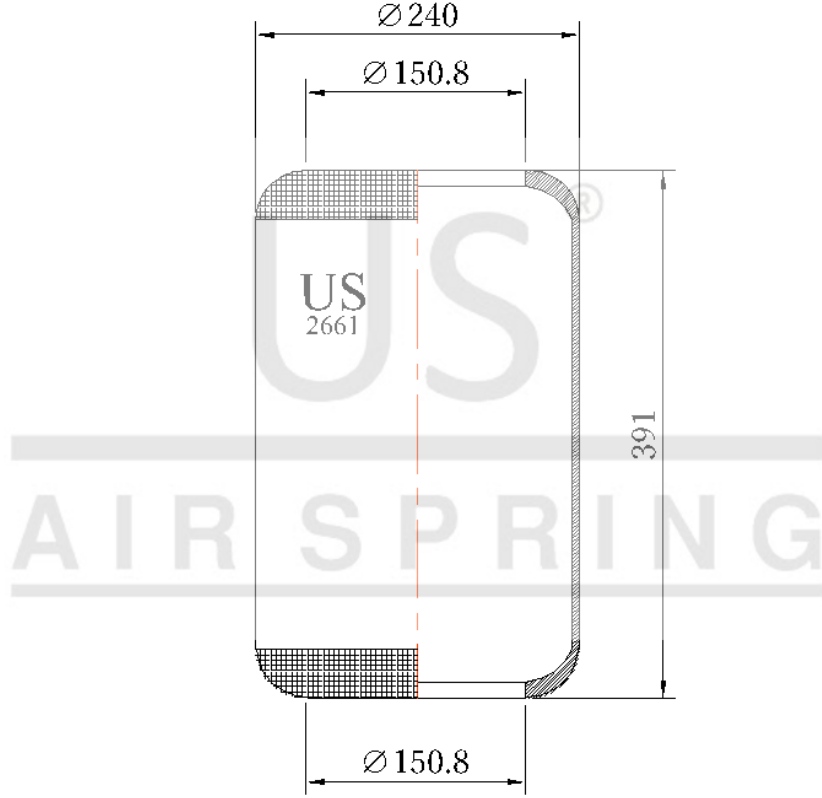


# US - 2661

Sipariş Kodu: 1013-240

**US**  
**AIR SPRING**



© 2025 US AIR SPRING. ALL RIGHTS RESERVED. <http://www.usmerkauçuk.com/>

## Ürün Özellikleri

Ürün Tipi	Roll
Ürün Kodu	2661
Sipariş Kodu	1013-240
Kutu Boyutu	780*1180*660
Kutudaki Adet	60 PCS
Ağırlık	1,66 Kg.
Tork	
Ürün Grubu	

**US - 2661**Sipariş Kodu: **1013-240****CROSS Kodları**

<b>CONTITECH</b>	661N
<b>AIRTECH</b>	3661
<b>CF GOMMA</b>	1S31028RF
<b>CF GOMMA</b>	91016
<b>DUNLOP</b>	D12S02RE
<b>DUNLOP</b>	PNP304980101
<b>FIRESTONE</b>	1R1C390310
<b>FIRESTONE</b>	W010950021
<b>GART</b>	D297
<b>GOODYEAR</b>	8018
<b>PHOENIX</b>	1E25
<b>PIRELLI</b>	1S31028
<b>TAURUS</b>	BL114
<b>VIBRACOUSTIC</b>	V1E25

**OEM Kodları**

<b>BMC</b>	53RS900056
<b>BMC</b>	501323863
<b>BMC</b>	53RS900155A
<b>OTOKAR KENT 280</b>	ÖN ARKA
<b>OTOKAR KENT 290 U</b>	ARKA
<b>DAF</b>	659561
<b>EVO BUS</b>	4731012000
<b>EVO BUS</b>	4731031000
<b>EVO BUS</b>	4771427000
<b>EVO BUS</b>	4731042000
<b>EVO BUS</b>	4771440000
<b>IVECO</b>	41822247
<b>IVECO</b>	4746733
<b>IVECO</b>	93197594
<b>SETRA</b>	4731012000
<b>SETRA</b>	4731031000
<b>SETRA</b>	4771427000
<b>SETRA</b>	4771440000
<b>MAGIRUS-DEUTZ</b>	41822247
<b>MAGIRUS-DEUTZ</b>	2498667
<b>MAN</b>	90831120144
<b>MAN</b>	88436010200
<b>MAN</b>	N1011016345
<b>NEOPLAN</b>	100110100
<b>NEOPLAN</b>	102100200
<b>NEOPLAN</b>	100112250
<b>NEOPLAN</b>	AA1001001
<b>OTOKAR KENT (ÖN/ARKA)</b>	16N0003648AA
<b>RENAULT T.</b>	5001829866
<b>VAN HOOL</b>	624319670
<b>VAN HOOL</b>	624319690
<b>VOLVO</b>	1137888
<b>VOLVO</b>	1137882