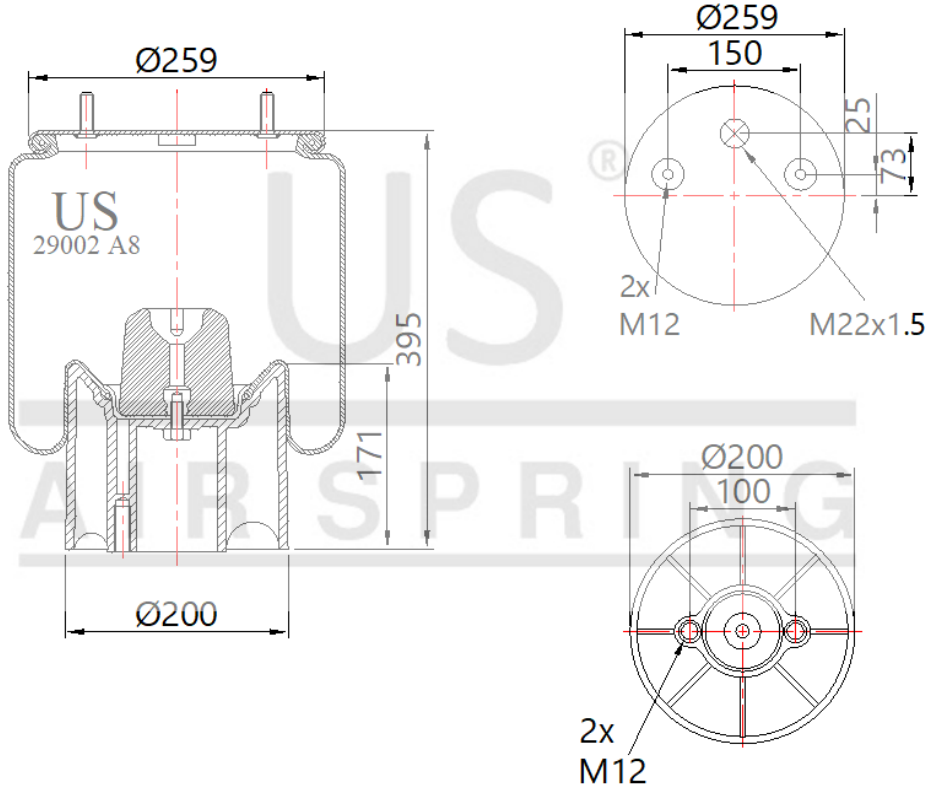


# US - 29002 A8KPP

Sipariş Kodu: 3070-259

**US**  
**AIR SPRING**



© 2025 US AIR SPRING. ALL RIGHTS RESERVED. <http://www.usmerkaucuk.com/>

## Ürün Özellikleri

Ürün Tipi	KPP
Ürün Kodu	29002 A8KPP
Sipariş Kodu	3070-259
Kutu Boyutu	780*1180*660
Kutudaki Adet	28 PCS
Ağırlık	7,1 Kg.
Tork	
Ürün Grubu	

# US - 29002 A8KPP

Sipariş Kodu: 3070-259



## CROSS Kodları

<b>CONTITECH</b>	4157NP14
<b>AIRTECH</b>	39002A8KPP
<b>PHOENIX</b>	1DK21A4
<b>CF GOMMA</b>	207463
<b>DUNLOP</b>	D12B18
<b>DUNLOP</b>	00980AAP
<b>PRIME RIDE</b>	54157AP04
<b>FIRESTONE</b>	W01M586297
<b>FIRESTONE</b>	1T17DAJ85
<b>FIRESTONE</b>	W01M589720
<b>GART</b>	C294D
<b>GART</b>	2942454
<b>GOODYEAR</b>	1R11111
<b>GOODYEAR</b>	56623521
<b>VIBRACOUSTIC</b>	V1DK21A4

## OEM Kodları

<b>DAIMLER TAS</b>	A9463281401
<b>DAIMLER TAS</b>	DCA DLS TE58
<b>WEWELER</b>	US07364
<b>MERITOR</b>	21221307
<b>TAURUS</b>	KR91554
<b>JOST</b>	3010501401
<b>JOST</b>	JAS3010501401
<b>JOST</b>	JAE3010501401
<b>WABCO</b>	9518111110